



FRONTIER™ 5513L

High-Speed Micro Centrifuges



Compact Micro Centrifuge with Modern Touch-Wheel Interface for Ideal Routine Centrifugation of Microtubes

Frontier 5513L is a space-saving micro centrifuge capable of spinning 18 × 1,5/2,0 ml microtubes and generating forces up to 15 995 × g for basic molecular biology applications like DNA/RNA purification and extraction. Engineered with convenient operation in mind, the FC5513L features a uniquely designed splash-proof front panel with touch-wheel control for quick and easy adjustment.

Features:

- Frontier 5513L includes an ergonomically designed 18 × 1,5/2,0 ml microtube rotor that quickly and easily closes with 1/4 of a turn. Adapters allow for spinning of 0,5 ml or 0,2/0,4 ml microtubes.
- Designed for ease of operation, the FC5513L features convenient control on a protective splash-proof interface, which allows for responsive operation – even when wearing gloves.
- With a small footprint, Frontier 5513L centrifuge is compact enough to save valuable space on the bench, yet large enough to accommodate sufficient number of microtubes ideal for DNA applications.

FRONTIER™ 5513L High-Speed Micro Centrifuges

Sleekly Designed Interface Enables Smooth Operation for a Great User Experience

- Easy-to-Use touch-wheel interface for parameter adjustments
- Convenient interface shows both set and actual parameters
- One-touch toggling between RPM/RCF, Acc/Dec
- Crisp display on a double-line LCD display with light blue backlight



Solid Engineering to Ensure Functionality and Reliability

- True splash-proof panel protects the centrifuge from accidental sample spilling
- Maintenance-free induction motor produces maximum G-force of 15 994×g and 14 000 rpm
- 10 acceleration/deceleration settings
- 99 memory sets to quickly store and recall commonly used parameters



Safety Features that Prevent Injury

- Rotor imbalance sensing systems stops the unit when it detects an imbalanced load
- Mechanical lid-locking system prevents centrifuge from opening during operation



FRONTIER™ 5513L High-Speed Micro Centrifuges

Specifications

Model	FC5513L	
Order No.	230V: 83041043	120V: 83041044
Speed Range	200 rpm – 14 000 rpm; 10 rpm / increments	
Maximum RCF	15 994×g; 10×g / increments	
Maximum Capacity (Rotor)	Angle Rotor: 18×1,5/2,0 ml	
Temperature Range	Air cooled	
Refrigerant	N/A	
Running Time	Quick Spin, 10 sec to 99 hr 59 min, or continuous	
Noise Level	≤ 57 + 2 dB(A)	
Acc/Dec Levels	10/10	
Allowable Density at Maximum Speed	1,2 g/ml	
Allowable Kinetic Energy	1 429 Nm	
Rated voltage	230 V/50 - 60 Hz	120 V/50 - 60 Hz
Voltage Fluctuation	± 10 %	
Rated current	0,8 A	1,7 A
Power continues	120 W	130 W
Dimensions (W×D×H)	277×351×231 mm	
Net Weight (without rotor)	14 kg	
Shipping Dimensions (W×D×H)	360×450×350 mm	
Shipping Weight (without rotor)	16 kg	
Ambient conditions (EN/IEC 61010-1)	Environment	For indoor use only
	Altitude	Use up to an altitude of 2000 m
	Ambient temperature	5 °C up to 35 °C
	Max. relative humidity	Max. relative humidity 80 % for temperatures up to 31 °C, Decreasing linearly to 50 % relative humidity up to 35 °C.
EMC	EN/IEC 61326-1 Class B emissions, Basic immunity FCC Class B emissions	
Not suitable for use in hazardous environments.		

Accessories

	Order No.	83041006
	Description	Rotor Angle 18×1,5/2,0 ml
	Compatible with	FC5513L
	Max. Speed	14 000 rpm
	Max. RCF	15 994×g

Accessories

Order No.	Description	Vol./Tube	Diameter	Tube Type	No.of Tubes/Rotor
Without Adapter	Rotor Angle 18×1,5/2,0 ml	1,5/2,0 ml	11 mm	Microtube	18
30130885	Adapter 1×0,5 ml D8 mm, 6 pk	0,5 ml	8 mm	Microtube	18
30130884	Adapter 1×0,2/0,4 ml D6 mm, 6 pk	0,2/0,4 ml	6 mm	Microtube	18

Shortcut list:

ID – auto rotor identification
FA – Conical bottom / Falcon®

Hi – version with higher speed
FB – Flat bottom

Vac – Vacutainer®
RB – Round bottom

Sar – Sarstedt
Rim – Skirted conical bottom

FRONTIER™ 5513L High-Speed Micro Centrifuges

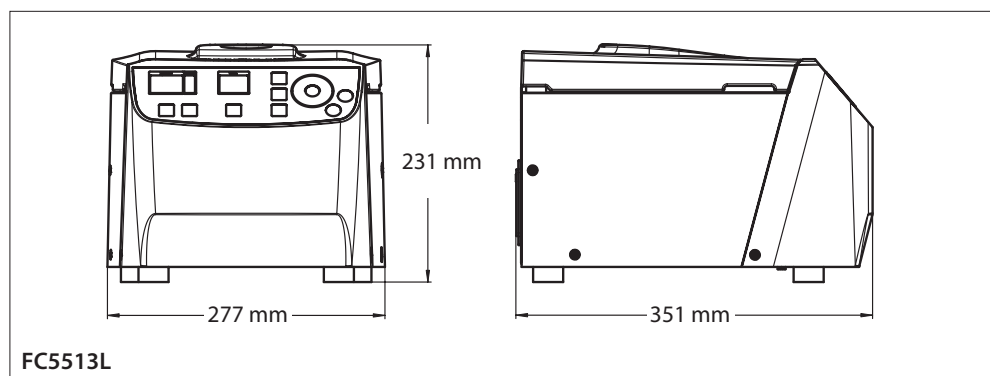
Other Standard Features and Equipment

Microprocessor control, Imbalance switch-off, Audible signal at the end of each run with melody options, Emergency release, 99 memory sets, Ten acceleration and ten deceleration rates, Pre-selection of running time from 10 sec to 99 hr 59 min or continuous, Quick spin for short runs.

Compliance

See Declaration of Conformity available CE Declarations | OHAUS

Outline Dimensions





WolfLabs

Pricing on any accessories shown can be found by keying the part number into the search box on our website.

The specifications listed in this brochure are subject to change by the manufacturer and therefore cannot be guaranteed to be correct. If there are aspects of the specification that must be guaranteed, please provide these to our sales team so that details can be confirmed.

www.wolflabs.co.uk

Tel : 01759 301142

Fax : 01759 301143

sales@wolflabs.co.uk

Please contact us if this literature doesn't answer all your questions.